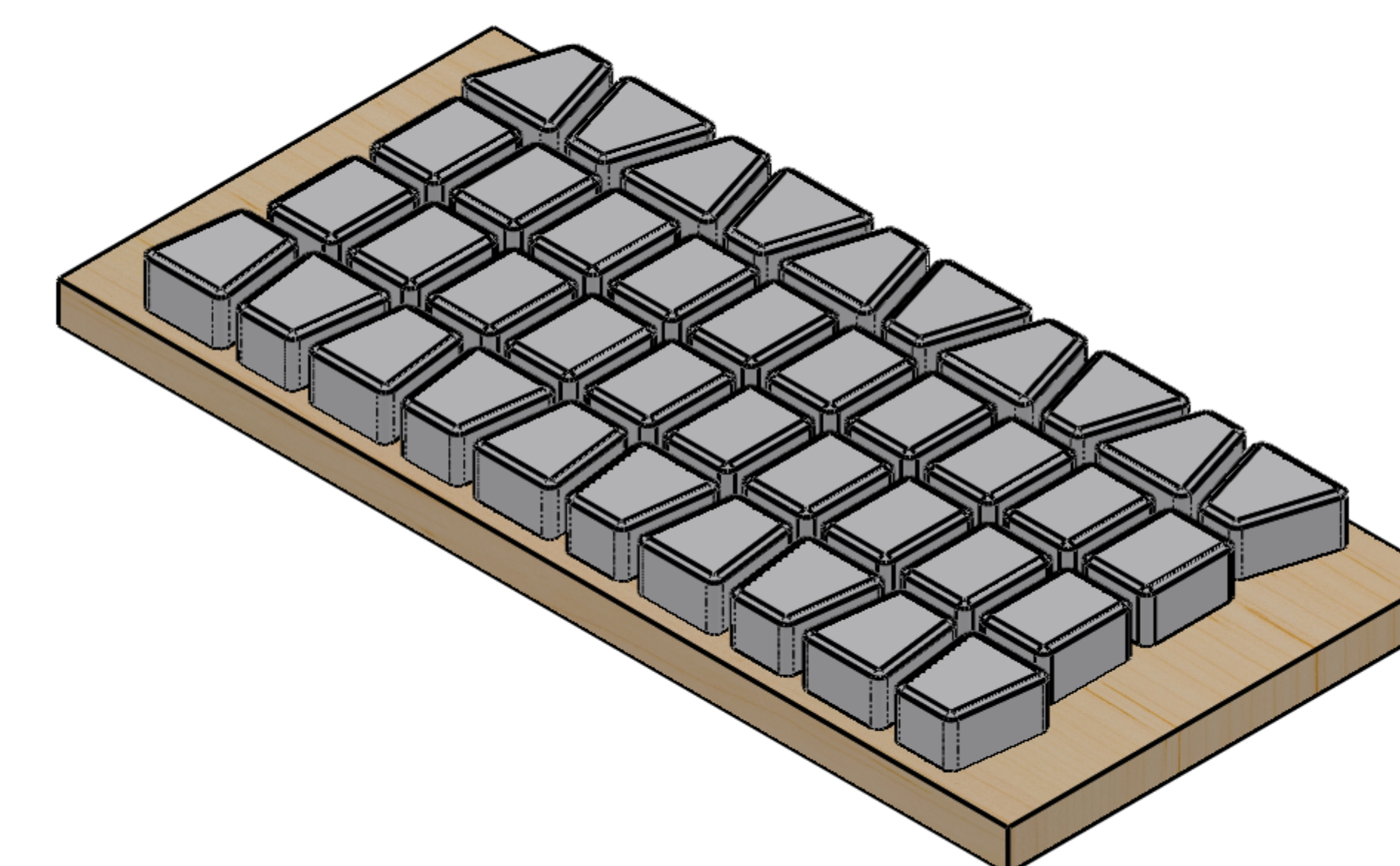
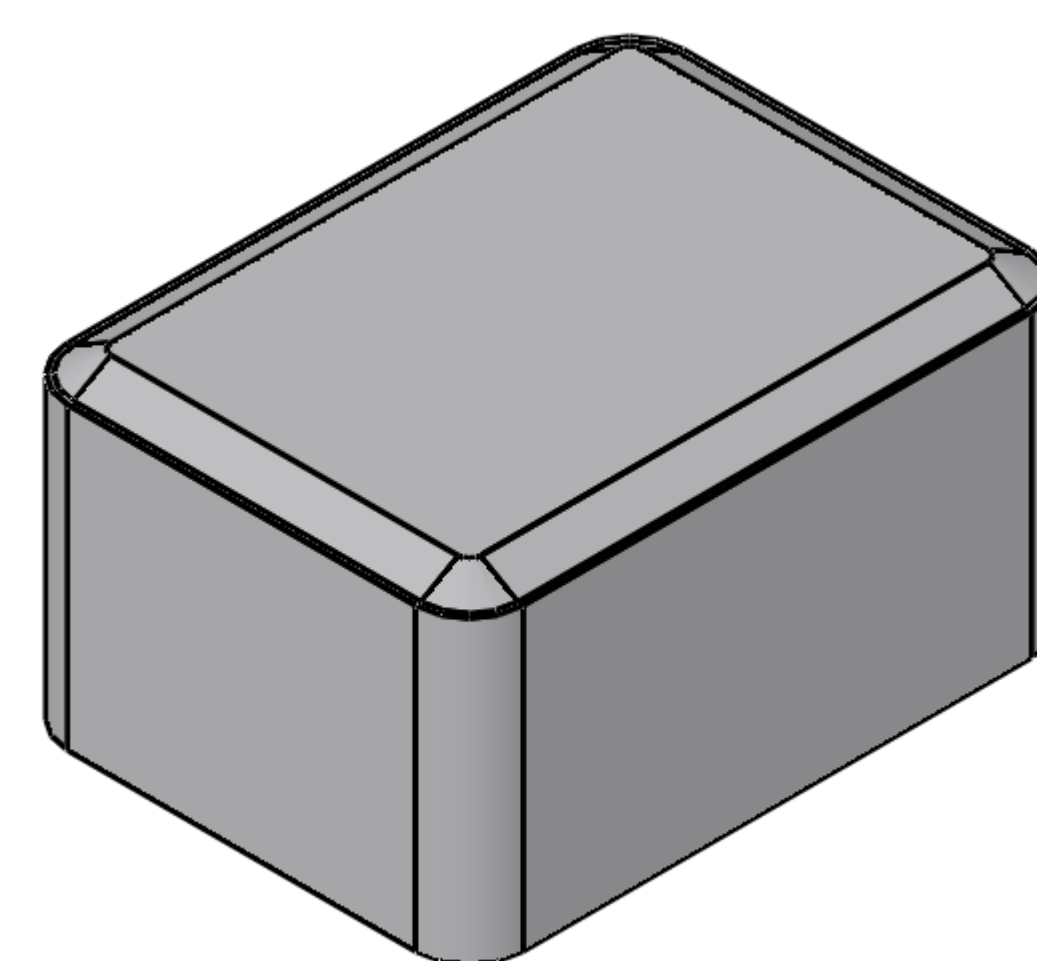
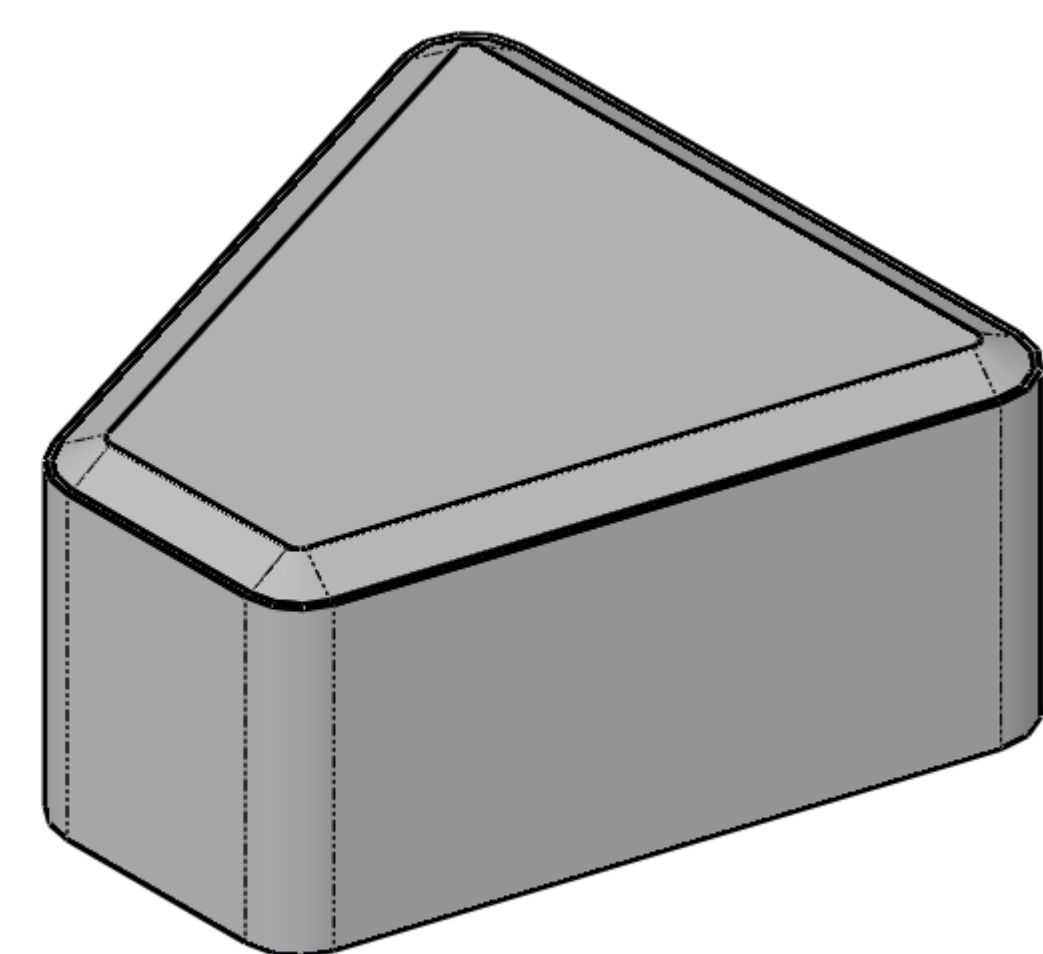
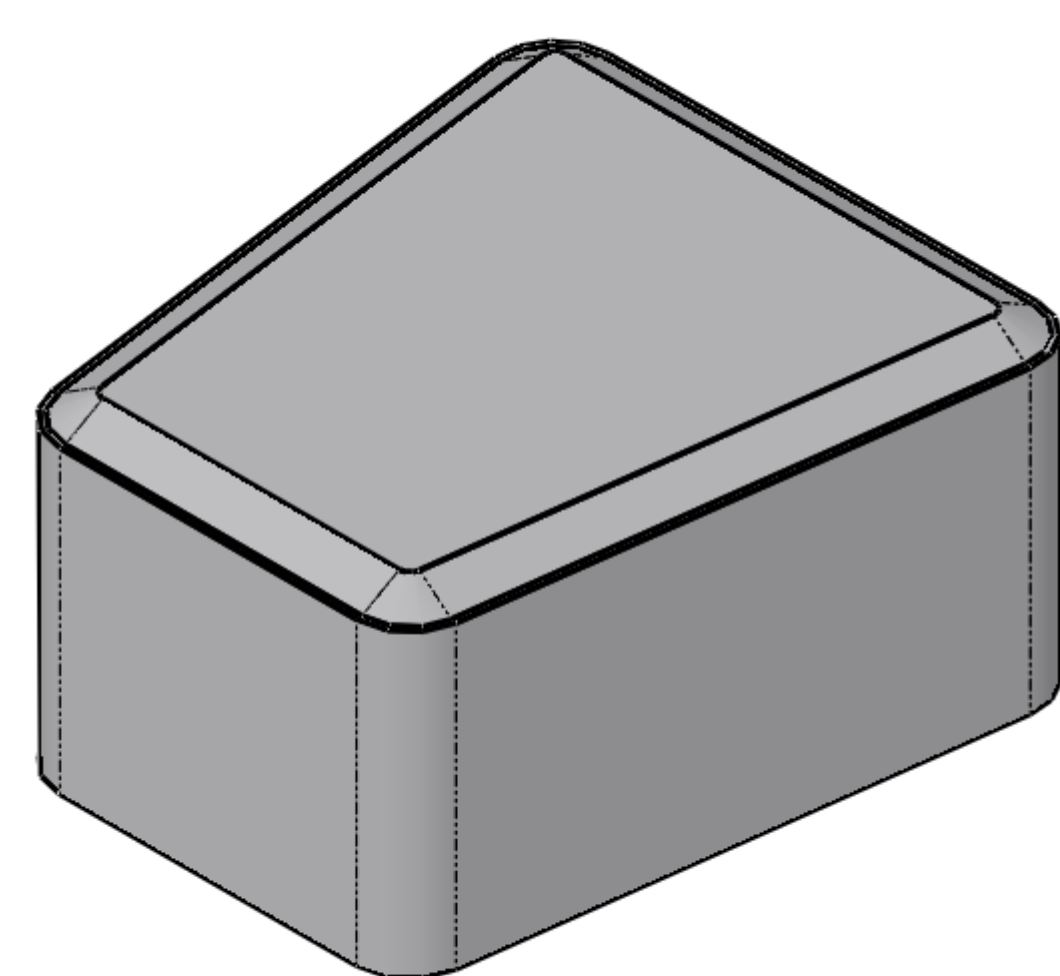
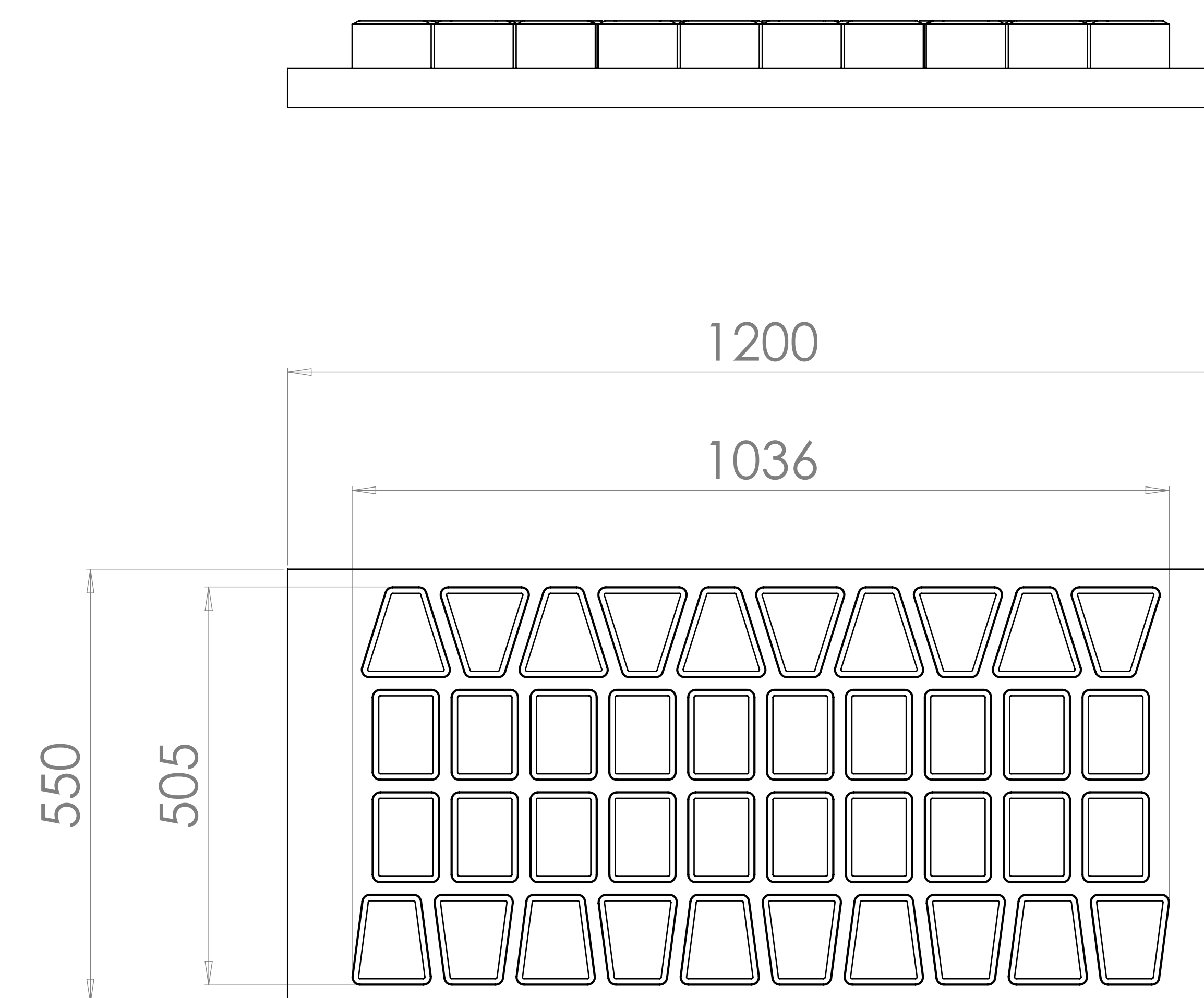


SECTION A-A
SCALE 1 : 1



If you agree with the drawing, go over the signature, please.

Data	17.08.2017.	Design	Mould for
Name	Žujević Milan	Paving stones Classico x60	
PROMETAL		Model	Custom
<i>Sopot, Serbia</i>		Machine type	RHP 400
www.prometalmachines.com		Pallet	1200x550
office@prometalmachines.com		Client	Crimea
+381 11 8251625			

60	72
H. block	H. mould